



## Open-Q™ 410 Development Kit

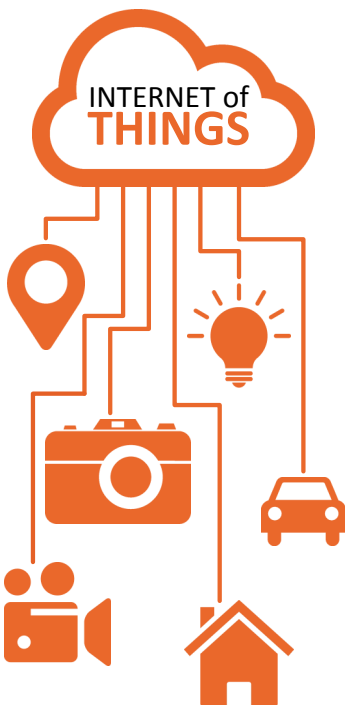
Based on the Qualcomm® Snapdragon™ 410 processor

**START DESIGNING  
YOUR EMBEDDED  
AND IOT DEVICES  
TODAY**

Intrinsic's Open-Q™ 410 Development Kit is our versatile, easy-to-use exposed board platform based on our production ready, pre-certified, Open-Q™ 410 SOM, providing the ideal starting point for creating next generation embedded and IoT devices. The platform features our Open-Q™ 410 SOM, a carrier board exposing all the available IO and a range of accessories to fast track your embedded and IoT product development.

### Technical Information

<b>Open-Q™ 410 SOM</b>	Snapdragon™ 410 (APQ8016) Quad-Core ARM® Cortex® A53 (64-bit, 1.2GHz) Qualcomm® Adreno™ 306 GPU Qualcomm® Hexagon™ v5 DSP 8GB eMMC 5.0 Flash Wi-Fi 802.11b/g/n 2.4 GHz single band Bluetooth 4.1 FCC/IC Modular Certified Wi-Fi/BT with RF shield Qualcomm® IZat™ Gen 8C GPS
<b>Display</b>	1x MIPI-DSI 4-lane, up to 720p 60fps or 1080p 30fps Comes with HDMI output adapter module LCD / touchscreen module available as optional accessory
<b>Camera</b>	2x MIPI-CSI 1x 4-lane, 1x 2-lane, up to 13MP
<b>Audio</b>	2x 3.5mm headset & line-in 2x Speaker connectors 1x Digital microphone expansion
<b>Other Interfaces</b>	1x UART debug over micro-B USB 1x USB 2.0 device, micro-B 2x USB 2.0 host, type-A 1x μSD Socket 24pin Expansion header I2C, SPI, UART, GPIO
<b>OS Support</b>	Android™ 7 Nougat, Android™ 5 Lollipop, Linux® Microsoft Azure Certified
<b>Operating Environment</b>	Input 12V DC SOM 44mm x 26.5mm Carrier board 130mm x 130mm



# DESIGN : DEVELOP : BUILD



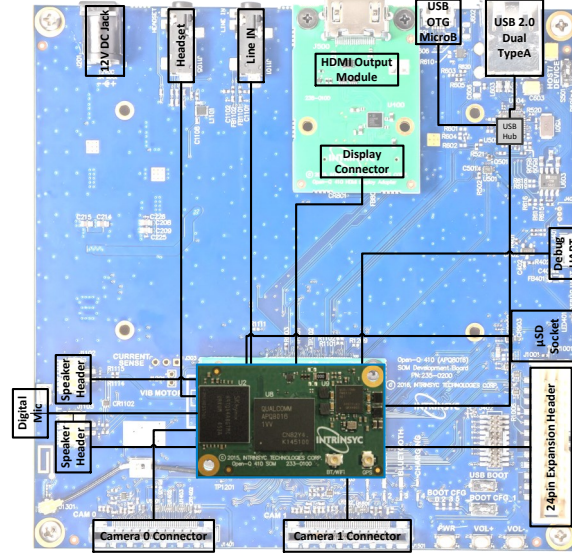
Implement low power audio playback and recording solutions with multi-codec support, noise cancellation, voice activation and surround sound



Capture and process high resolution images up to 13MP, with support for hardware based noise reduction and JPEG encoding



Use the latest Gen 8C GPS technology. Track, tag and embed additional information with real time device location data



Deliver a superior user experience with the advanced quad-core ARM Cortex A53 CPU that is both 32bit and 64-bit capable, the Hexagon DSP and Adreno 306 GPU. Includes support for OpenGL ES 3.0 and OpenCL



Design and develop smart connected devices with integrated wireless connectivity. Support for 802.11b/g/n (2.4GHz) Wi-Fi and Bluetooth 4.1 LE with FCC/IC modular certification.



Record, stream and playback high quality video using HW based H.264 encode and decode and the optional LCD display or HDMI output module



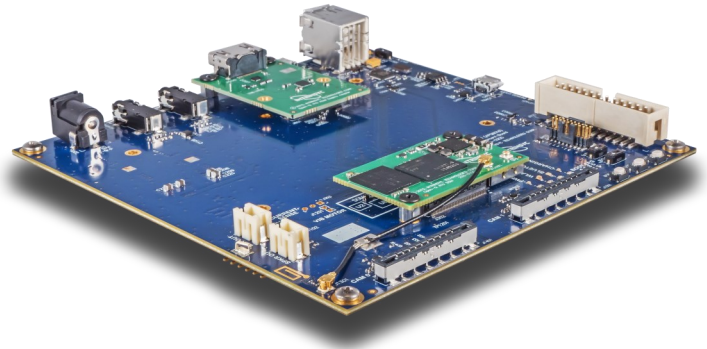
Add connections to external memory, sensors, and a host of other peripheral devices via the comprehensive list of configurable IO

## Optional Accessories

13MP Camera



4.5" FWVGA Touch LCD



Specifications are subject to change without notice. Not all features listed may be supported in software. All brand or product names are trademarks or registered trademarks of their respective owners. Qualcomm Snapdragon, Qualcomm Adreno, and Qualcomm Hexagon are products of Qualcomm Technologies, Inc. Qualcomm IZat is a product of Qualcomm Atheros, Inc. Qualcomm, Snapdragon, Adreno and Hexagon are trademarks of Qualcomm Incorporated, registered in the United States and other countries. IZat is a trademark of Qualcomm Incorporated. Used with permission.